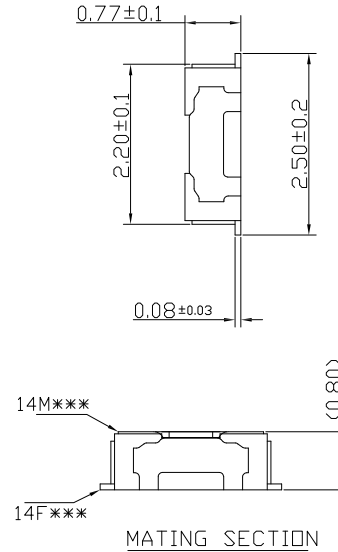
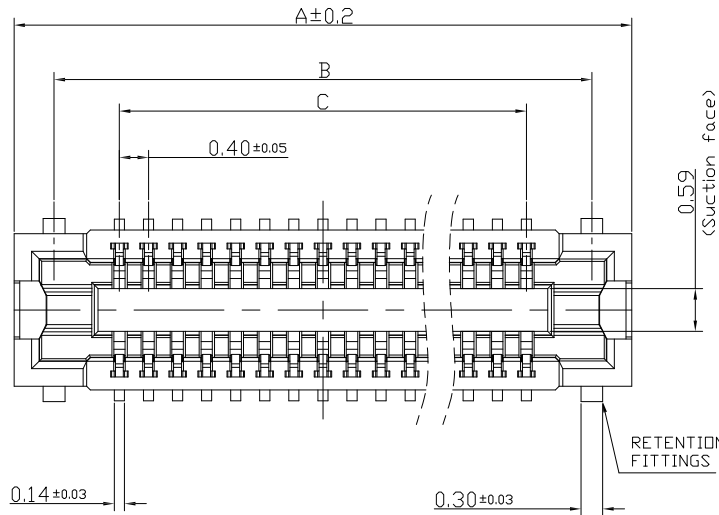


The product using material and processing must conform to the "WI-PZ-001" HSF technical standard control requirements

RoHS+HF

- NOTE:
- MATERIAL SPECIFICATION:
 - HOUSING: LCP UL94V-0
 - CONTACTS: PHOSPHOR BRONZE
 - SHELL: PHOSPHOR BRONZE
 - PLATING SPECIFICATION:
 - CONTACTS: TIN/AU PLATED OVER ALL.
 - SHELL: TIN/AU PLATED OVER ALL.
 - MECHANICAL PERFORMANCE:
 - INSERTION FORCE: 0.6kgf/Pin MAX
 - REMOVAL FORCE: 0.1kgf/Pin MIN
 - DURABILITY: 20 CYCLES.
 - ELECTRICAL PERFORMANCE:
 - CURRENT RATING: 0.3A
 - VOLTAGE RATING: 60V MAX
 - CONTACT RESISTANCE: 90m Ohm Max.
 - INSULATION RESISTANCE: 1000MΩ MIN
 - DIELECTRIC WITHSTANDING VOLTAGE: 150V AC Min
 - ENVIRONMENTAL PERFORMANCE:

OPERATING TEMPERATURE: -40°C~+85°C.
 - PACKAGE SPEC: REEL PACKING
 - P/N ORDER: B0402 08 F 0-2 XX 2 X X 01



SERIES NO: _____ COLOR: A-BLACK, K-WHITE, S-NATURE

HEIGHT: 08-0.80mm PLATING: A-ALL AU G/F, B.ALL-AU1.5U", C-BRIGHE TIN

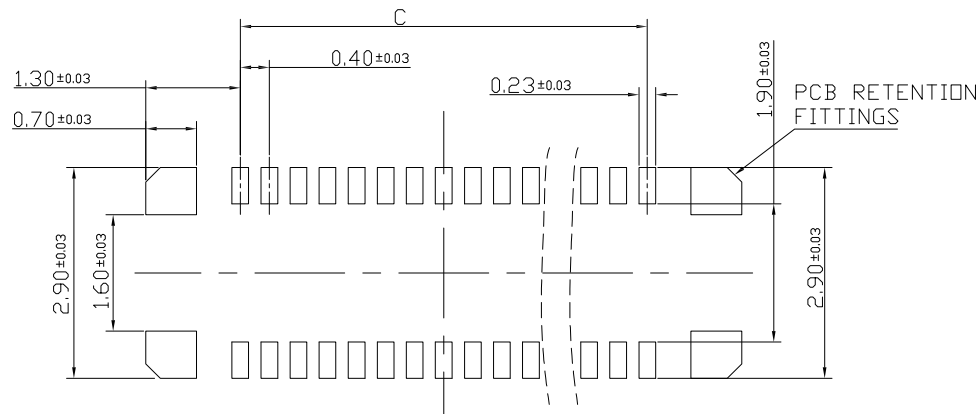
MALE FEMALE: F-FEMALE TERMPOINT: 2-SMT

ANGLE: 0-180° PIN Q' PY: 10~50pin

ROW NO: 2-DOUBLE ROW

TABLE:

NUMBER OF CONTACTS	A	B	C
70	16.50	15.40	13.60
50	12.50	11.40	9.60
40	10.50	9.40	7.60
34	9.30	8.20	6.40
30	8.50	7.40	5.60
24	7.30	6.20	4.40
16	5.70	4.60	2.80
12	4.90	3.80	2.00
10	4.50	3.40	1.60



REV.	REVISION RECORD	DATE	GENERAL TOLERANCES		SCALE:	NAME	DATE	PART.NO:	DWG.NO:
A0	NEW RELEASE	21.01.13	LINEAR	ANGLES	1:1	Wang_jr	21.01.13	B040208F0-2XX2XX01	ENDE05
			0.0±0.35	X°REF±6°	APPROVED	Han_Gao	21.01.13	TITLE: 0.40mm,pitch BTB FEMALE	REV: A0 SHEET: 1/2
			0.00±0.25	X°±3°	DESIGNER	Zijun_Huang	21.01.13		
			0.000±0.10	X°X' ±2°	DRAWN				

W 万连科技
WanLian Teconology Co., Ltd

The product using material and processing must conform to the "WI-PZ-001"HSF technical standard control requirements

RoHS+HF

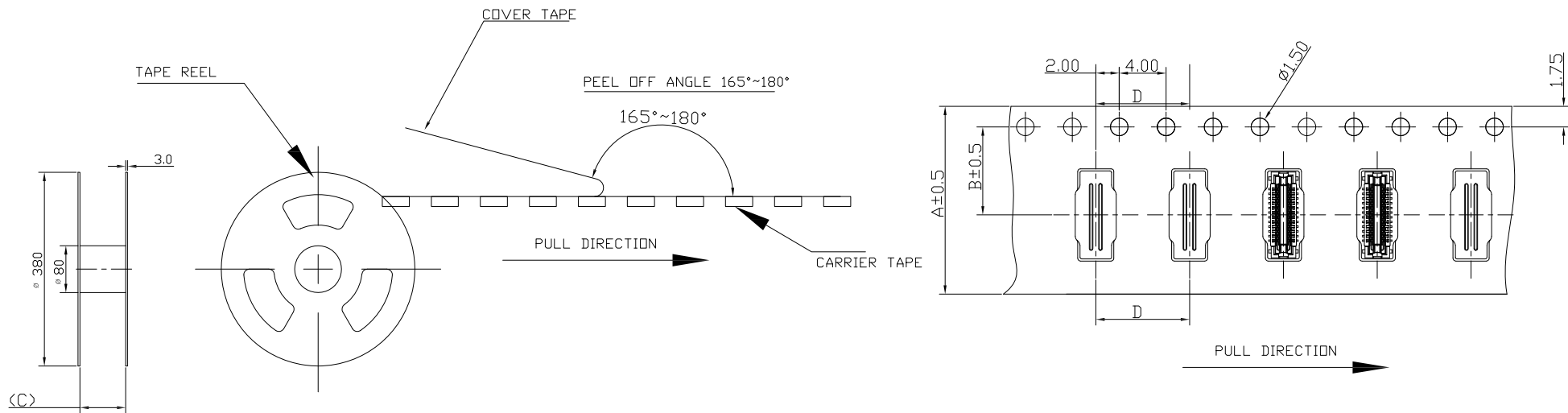


TABLE:

70	24.00	11.50	25.4	8.00	10000
50				4.00	20000
40					
34					
30	16.00	7.50	17.4	8.00	10000
24				8.00	10000
16					
12					
10	A	B	C	D	QTY/REEL

REV.	REVISION RECORD	DATE		GENERAL TOLERANCES		SCALE:	NAME	DATE	PART.NO:	DWG.NO:	
A0	NEW RELEASE	21.01.13		LINEAR	ANGLES	1:1	Wang_jr	21.01.13	B040208F0-2XX2XX01	ENDE05	
			UNIT:mm	0.00 ± 0.25	$X^\circ \pm 3^\circ$	APPROVED	Han_Gao	21.01.13	TITLE:		REV: A0 SHEET: 2/2
			SIZE: A4	0.000 ± 0.10	$X^\circ X' \pm 2^\circ$	DESIGNER	Zijun_Huang	21.01.13	0.40mm,pitch BTB FEMALE PACKAGE SPEC		